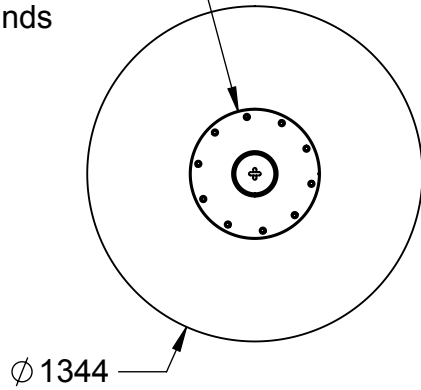
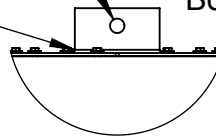


Ø 508
Load Plate
Fastened With 10 Bolts
Both Ends

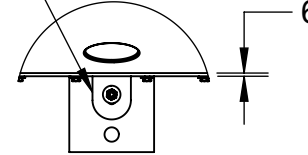


Ø 29
Plate Fully
Welded To
Pipe

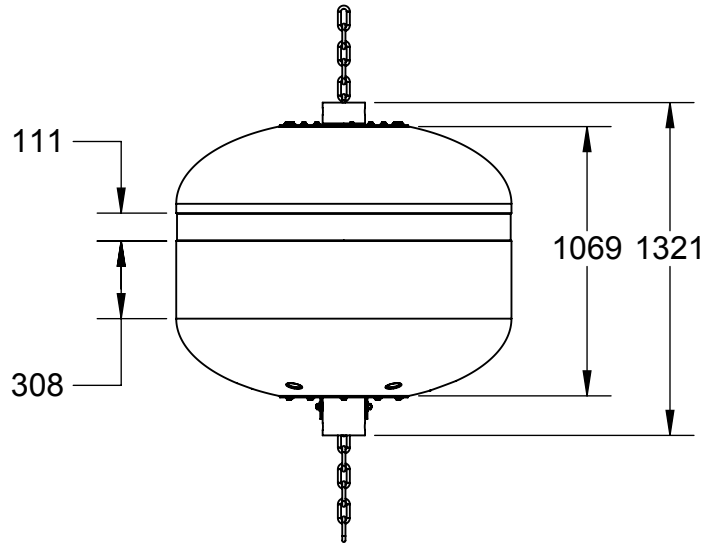
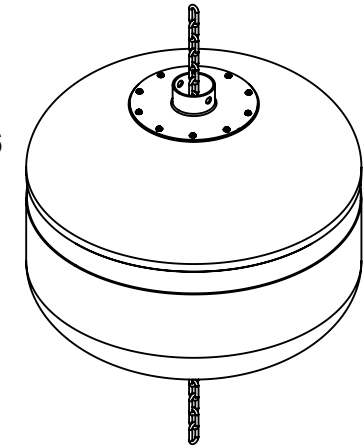
Plate Bolted
To Pipe
Both Sides



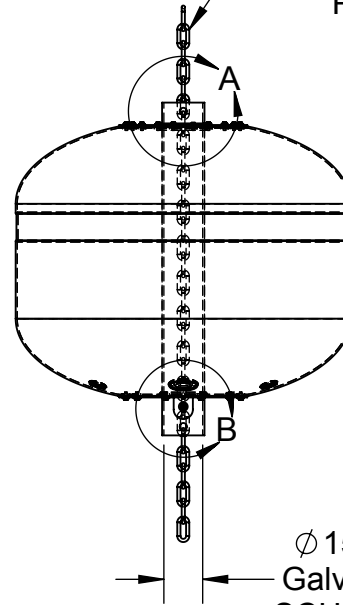
DETAIL A
SCALE 1 : 15



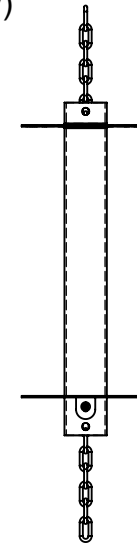
DETAIL B
SCALE 1 : 15



25 Mooring Chain
(For Illustration
Purposes Only)



Ø 154 I.D.
Galvanized
SCH40 Pipe



Notes:

1. Total Displacement Approximately 1200 L
2. EPS Foam Filled

PROPRIETARY AND CONFIDENTIAL

THE INFORMATION CONTAINED IN THIS DRAWING IS THE SOLE PROPERTY OF NORTHWEST PLASTICS LTD. ANY REPRODUCTION IN PART OR AS A WHOLE WITHOUT THE WRITTEN PERMISSION OF NORTHWEST PLASTICS LTD IS PROHIBITED.



200 - 1605 Industrial Ave.
Port Coquitlam, BC V3C 6M9
(604) 552-9734

DO NOT SCALE DRAWING

DRAWN BY	DATE
TK	08/22/16

DIMENSIONS ARE IN
MILLIMETERS

TOLERANCES:
+/- 1.5%

CB 1200 HAWSER ASSEMBLY

SIZE	DWG. NO.
A	TK-017-001

SCALE:1:30

SHEET 1 OF 1